

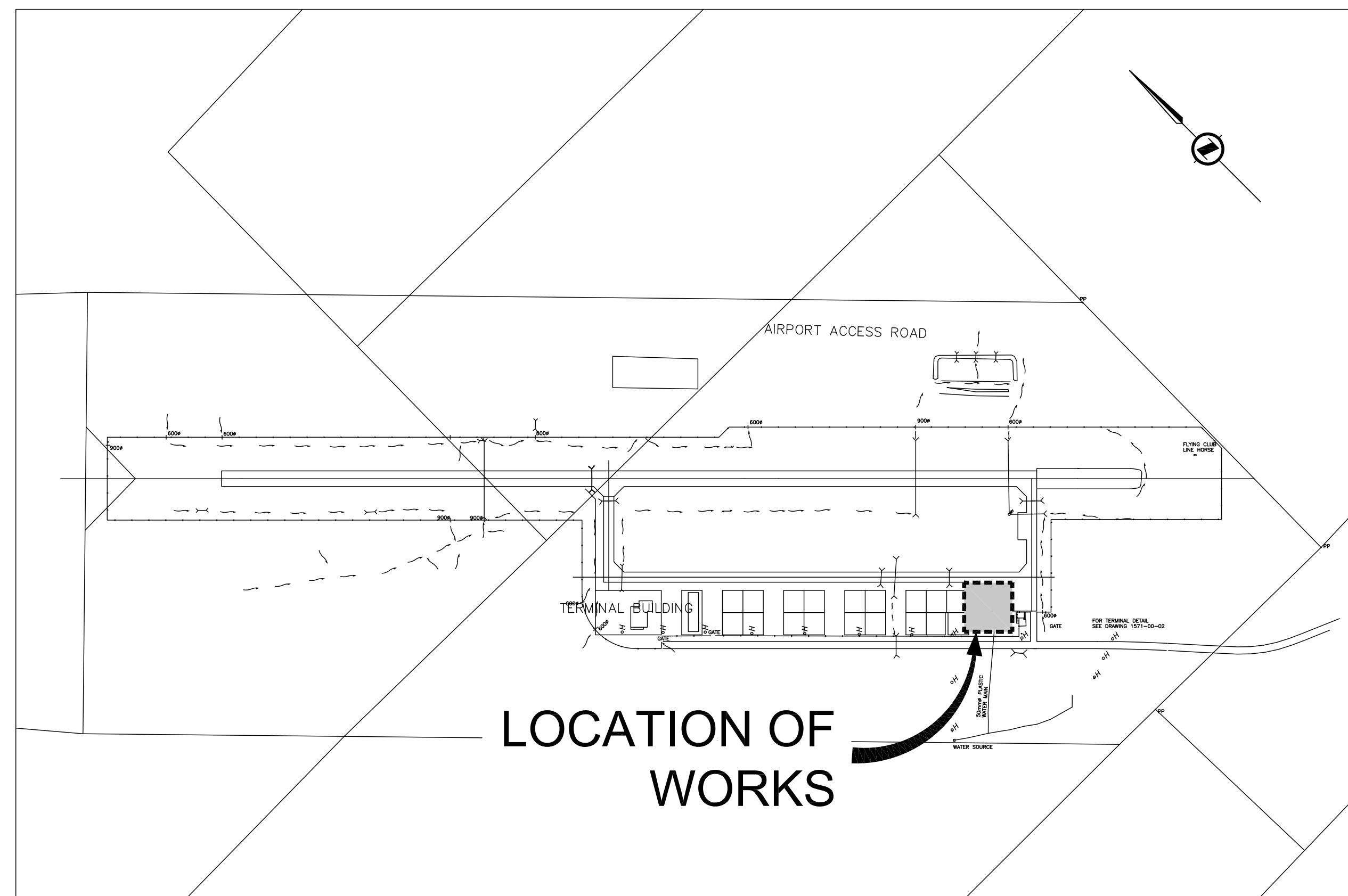
ALBERNI CLAYOQUOT REGIONAL DISTRICT

CBS8 - ALBERNI, MAINTENANCE BUILDING

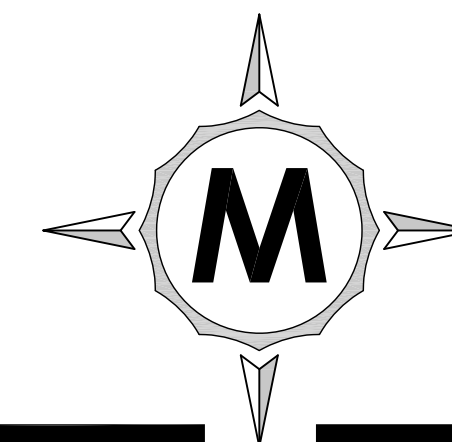
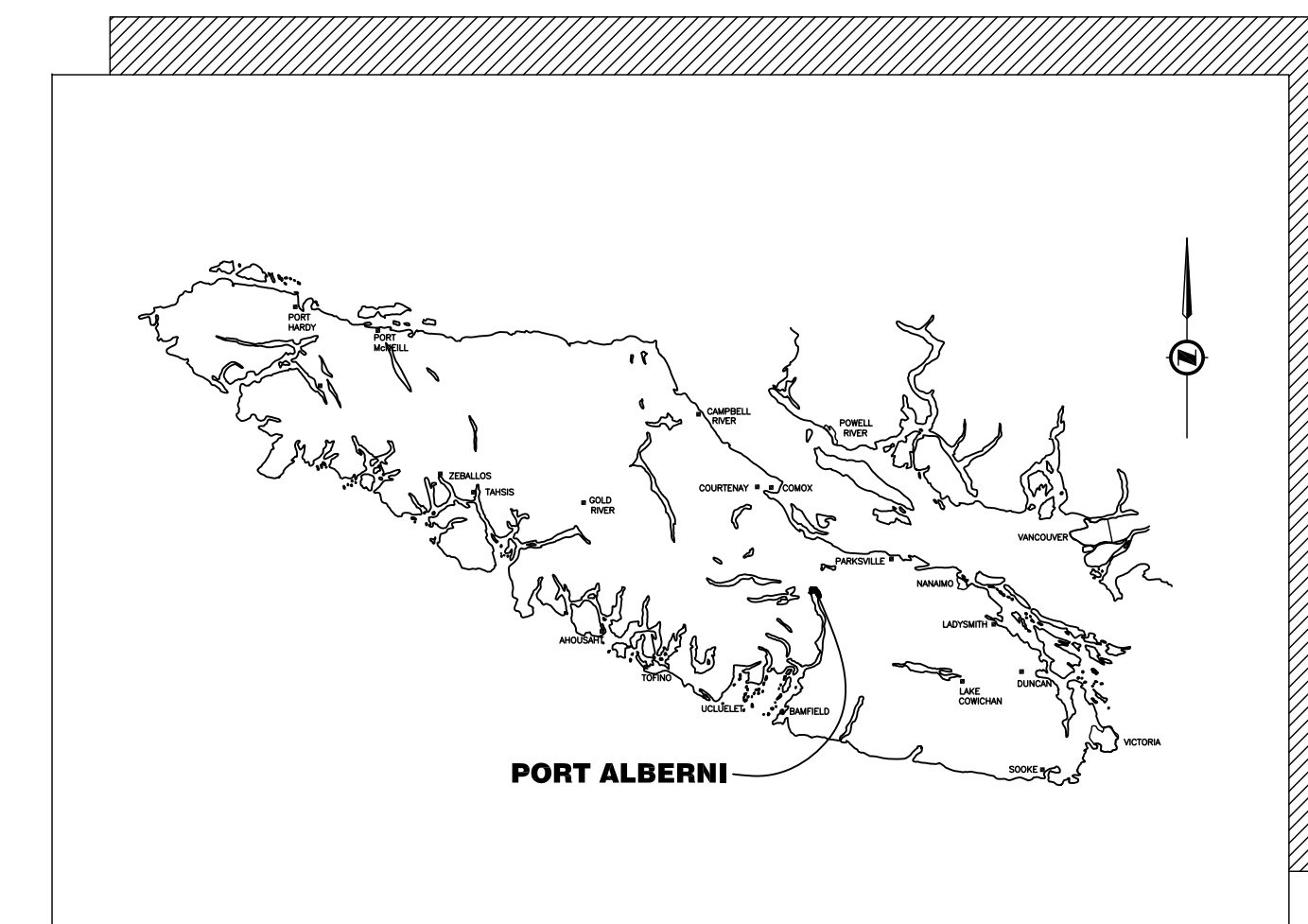
DRAWING INDEX

TITLE SHEET / SITE LOCATION PLAN

Pg	PLAN #	NAME	Pg	PLAN #	NAME	Pg	PLAN #	NAME
1	C01	SITE PLAN	1	A01	FLOOR PLAN	1	S01	GENERAL NOTES
2	C02	GRADING PLAN	2	A02	ELEVATION VIEWS	2	S02	FOUNDATION PLAN
3	C03	DETAILS						
			1	M01	PLUMBING PLAN			



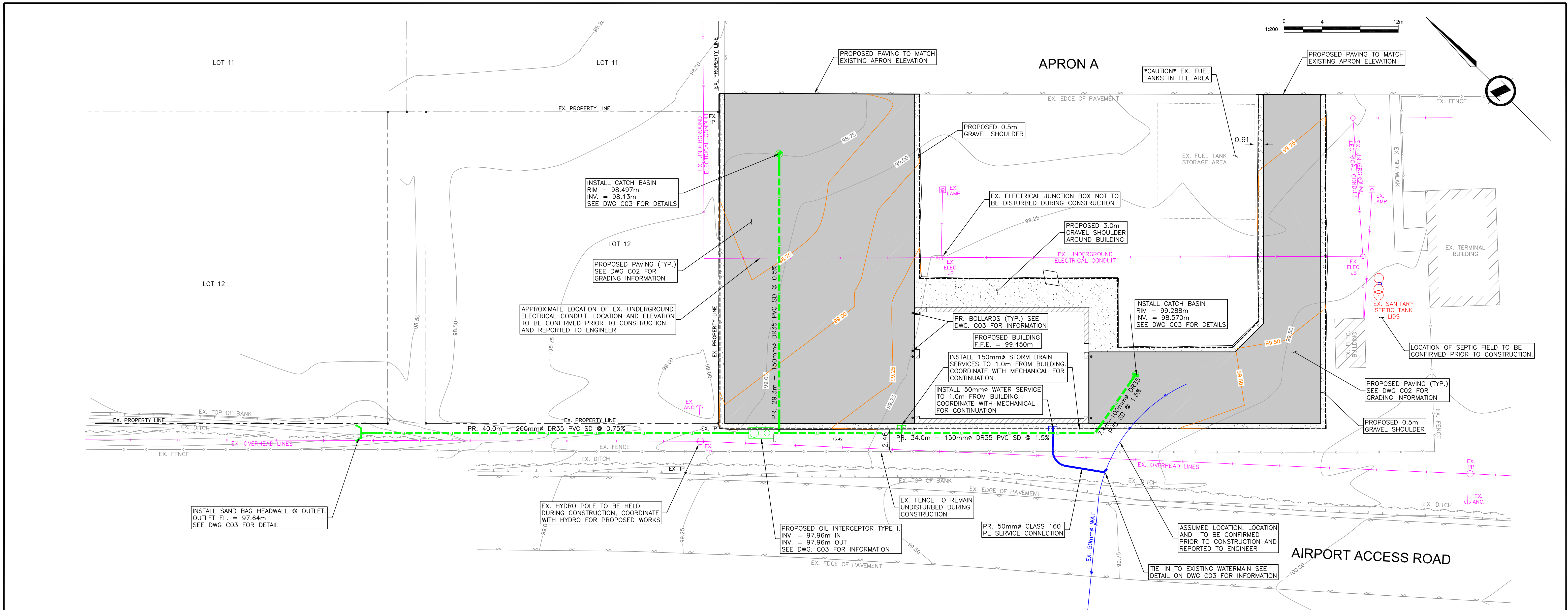
LOCATION PLAN
SCALE: N.T.S.



**McGILL & ASSOCIATES
ENGINEERING LTD.**

4610 ELIZABETH STREET
PORT ALBERNI, B.C., V9Y 6L7
Tel: (250) 724-3400 Fax: (250) 724-4400
E-mail: office@mcgilleng.com

**4301, REV - A
ISSUED FOR TENDER**



PROPOSED SITE PLAN
SCALE: 1:200

GENERAL NOTES

- ALL CONSTRUCTION AND MATERIALS TO BE IN ACCORDANCE WITH MMCD, PLATINUM EDITION UNLESS OTHERWISE NOTED.
- WHEN A CONFLICT BETWEEN THE SPECIFICATIONS ARISES, THE MOST STRINGENT SHALL APPLY.
- CONTACT BC HYDRO, TELUS, SHAW CABLE AND FORTIS GAS TWO WORKING DAYS PRIOR TO THE START OF ANY EXCAVATION.
- EXPOSE ALL EXISTING SERVICES AT CONNECTION AND CROSSING POINTS TWO WORKING DAYS PRIOR TO STARTING CONSTRUCTION ON ANY SUCH SERVICES. ENSURE ENGINEER HAS CONFIRMED THE HORIZONTAL AND VERTICAL LOCATION.
- BED ALL PIPE USING CLASS 'B' BEDDING.
- WHERE A TRENCH IS UNDER OR WITHIN 1.0m OF THE EDGE OF A ROAD OR DRIVEWAY, USE PIT RUN GRAVEL BACKFILL FROM THE TOP OF THE PIPE BEDDING TO THE TOP OF THE ROAD, PARKING OR DRIVEWAY SUBGRADE.
- DO NOT START ANY BACKFILL OPERATION UNTIL THE WORKS HAVE BEEN INSPECTED BY THE ENGINEER.
- AFTER CONSTRUCTION, RESTORE WORK AREAS AND ALL EXISTING FEATURES TO THEIR ORIGINAL CONDITION OR BETTER.
- COMPACT TRENCH BACKFILL, ROAD BASE AND DRIVEWAY BASE TO 95% MODIFIED PROCTOR DENSITY.
- ADJUST ALL PROPOSED AND EXISTING APPURTENANCES TO MEET THE FINAL DESIGN GRADES.
- CONSTRUCT SEWER, DRAIN AND ROADS WITHIN PRIVATE PROPERTY IN ACCORDANCE WITH THE BC PLUMBING CODE AND NATIONAL BUILDING CODE.
- ALL STREET TRAFFIC AND ADVISORY SIGNS AND FLAGGING TO BE PROVIDED BY THE CONTRACTOR.

- NOTES:
1. SURVEY CONDUCTED BY MCGILL AND ASSOCIATES ENGINEERING - MARCH/2022
 2. ALL DIMENSIONS ARE HORIZONTAL GROUND-LEVEL AND DISPLAYED IN METERS.
 3. ALL ELEVATIONS ARE ASSUMED.

ROADWORKS

1. THE OWNER SHALL EMPLOY A SOILS CONSULTANT FOR INTERMITTENT TESTING AND QUALITY CONTROL DURING THE PERPETRATION OF SUBGRADE AND CONSTRUCTION OF THE DESIGN ROAD STRUCTURE
2. ALL ROAD SUBGRADE, SUB-BASE, AND BASE STRUCTURES SHALL BE COMPACTED TO A MINIMUM OF 95% MODIFIED PROCTOR. COMPACTION FOR EACH LAYER OF SUBGRADE, SUB-BASE AND BASE COURSE SHALL BE SPOT TESTED WITH A NUCLEAR DENSOMETER AND A PROOF ROLL SHALL BE PERFORMED WITH A LOADED SINGLE AXLE TRUCK PRIOR TO THE PLACEMENT OF EACH LAYER. THE CITY MUNICIPAL SERVICES INSPECTOR SHALL BE GIVEN AT LEAST 24 HOURS NOTICE IN ADVANCE TO WITNESS A PROOF ROLL TEST.
3. RECLAIMED ASPHALT PRODUCT (RAP) CONTENT IN HOT MIX ASPHALT (HMA) SHALL NOT EXCEED 15% BY MASS
4. ASPHALT PAVING OF THE ROAD BASE SHALL NOT BE COMPLETED UNTIL ALL UNDERGROUND WORKS HAVE BEEN CERTIFIED COMPLETE BY THE CONSULTANT AND ACCEPTED BY THE DIRECTOR OF ENGINEERING AND OPERATIONS.
5. CONCRETE TESTING WILL BE REQUIRED FOR ALL CURB AND SIDEWALK STRUCTURES. SEVEN DAY TEST RESULTS FOR ALL CONCRETE CURBS SHALL BE COMPLETED AND SUBMITTED TO THE CITY PRIOR TO APPROVAL FOR PAVING.
6. THE ACRD WILL NOT PERMIT THE USE OF TRACK EQUIPMENT ON PAVEMENT WHICH IS NOT INTENDED FOR PLACEMENT. SHOULD DAMAGE TO THE PAVED SURFACE OCCUR, THE CONTRACTOR WILL TAKE FULL RESPONSIBILITY FOR ALL REPAIRS. REPAIRS TO DAMAGED ASPHALT PAVING MAY INCLUDE REPLACEMENT OF THE PAVED SURFACE IF DEEMED NECESSARY BY THE DIRECTOR OF ENGINEERING AND OPERATIONS.
7. ALL TRAFFIC SIGNAGE AND LINE PAINTING SHALL BE COMPLETED BY THE CONTRACTOR, UNLESS OTHERWISE NOTED ON THE APPROVED ENGINEERING DESIGN DRAWINGS.
8. ALL ROAD CUTS SHALL BE PATCHED WITH COLD-MIX WITHIN 24 HOURS OF COMPLETION OF EXCAVATION, UNLESS OTHERWISE APPROVED BY THE CITY MUNICIPAL SERVICE INSPECTOR.
9. ASPHALT SAW CUTS IN EXISTING ROAD WILL BE AS PER THE DIRECTION OF THE INSPECTOR AT THE TIME OF CONSTRUCTION.
10. EXISTING VALVE BOXES, MANHOLES, ETC. WITHIN THE ROAD RIGHT-OF-WAY TO BE ADJUSTED TO FINAL GRADE.
11. CHANGES OF GRADE SHALL BE FORMED BY SMOOTH CURVES.
12. ALL ROADWAYS SHOULDERS IMPACTED BY CONSTRUCTION TO BE REINSTATED TO M.O.T.I. SPECIFICATIONS.
13. ALL LOOSE OR ORGANIC MATERIAL TO BE EXCAVATED FROM ROADWAY.

SEWER AND DRAIN

- SEWER AND DRAIN SERVICE CONNECTIONS AS NOTED ON PLANS. IF COVER IS LESS THAN 600mm, CONCRETE CAP TO BE INSTALLED.
- CATCH BASIN LEADS TO BE 150mmØ PVC DR28 UNLESS OTHERWISE NOTED. IF COVER IS LESS THAN 600mm, CONCRETE CAP TO BE INSTALLED.
- SEWER AND DRAIN PIPE UP TO AND INCLUDING 150mm DIAMETER TO BE PVC DR28 AND DR35 FOR 200mm DIAMETER AND OVER. PIPE TO BE C.S.A. APPROVED PVC.

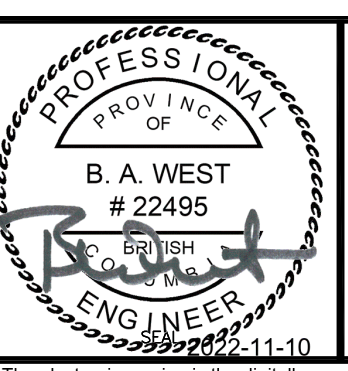
HYDRO, TELEPHONE, CABLE, STREET LIGHTING AND GAS

- CONTACT "B.C. ONE CALL" AT 1-800-474-6886 A MINIMUM OF TWO WORKING DAYS PRIOR TO START OF CONSTRUCTION.
- BC HYDRO, TELUS, SHAW CABLE AND FORTIS GAS FACILITIES ARE SHOWN SCHEMATICALLY ON THIS DRAWING. REFER TO UTILITY COMPANY DRAWINGS FOR CONSTRUCTION DETAILS.

S:\4301 AVRA Maintenance Bldg\DWG\M4301.dwg Nov 10, 2022 2:56:23pm

THIS PLAN AND DESIGN ARE, AND AT ALL TIMES REMAIN THE EXCLUSIVE PROPERTY OF MCGILL & ASSOCIATES ENGINEERING LTD. AND CANNOT BE USED OR REPRODUCED WITHOUT WRITTEN CONSENT. THIS PLAN IS PREPARED FOR THE SOLE USE OF OUR CLIENT AND NO REPRESENTATION OF ANY KIND IS MADE TO OTHER PARTIES WITH WHICH MCGILL & ASSOCIATES ENGINEERING LTD. HAS NOT ENTERED INTO A CONTRACT. WRITTEN DIMENSIONS SHALL HAVE PRECEDENCE OVER SCALED DIMENSIONS. CONTRACTORS SHALL VERIFY AND BE RESPONSIBLE FOR ALL DIMENSIONS AND CONDITIONS ON THE JOB AND THIS OFFICE SHALL BE INFORMED OF ANY VARIATIONS FROM THE DIMENSIONS AND CONDITIONS SHOWN ON THE DRAWINGS.

No.	REVISION DESCRIPTION	DATE	BY	APP'D	DWG File Name
A	ISSUED FOR TENDER	2022/11/10	CJM	BAW	FIELD BOOK No.
					M4301.DWG

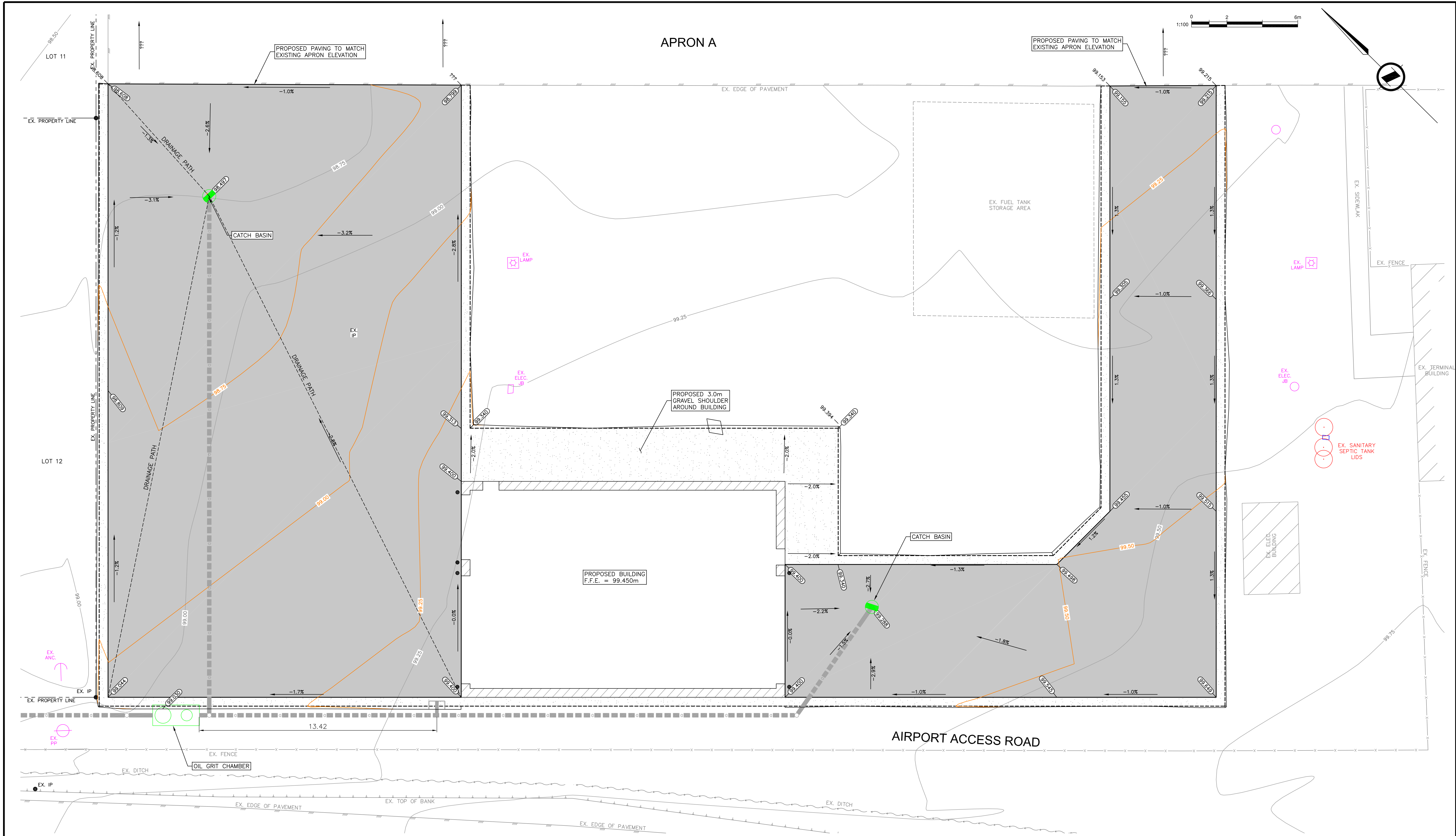


McGILL & ASSOCIATES ENGINEERING LTD.
 PERMIT TO PRACTICE No. 1002564
 4610 ELIZABETH STREET
 PORT ALBERNI, B.C. V9Y 6L7
 Tel: (250) 724-3400 Fax: (250) 724-4400
 E-mail: office@mcgilleng.com

ALBERNI-CLAYOQUOT REGIONAL DISTRICT
 CBS8 - ALBERNI, MAINTENANCE BUILDING
 SITE PLAN

SHEET No. **C01**
 1 OF 3 REV. A
 DRAWING No. 4301 - C01

The electronic version is the digitally signed and sealed Original Document. This drawing is a paper copy of the Original Document.



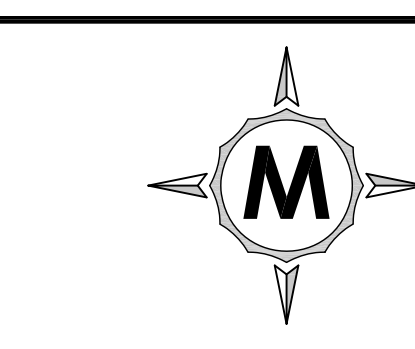
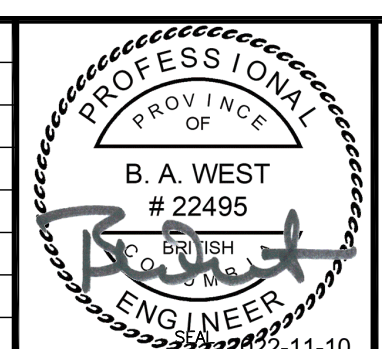
PROPOSED GRADING PLAN
SCALE: 1:100

S:\4301 AVRA Maintenance Bldg\DWG\M4301.dwg Nov 10, 2022 2:56:28pm

THIS PLAN AND DESIGN ARE, AND AT ALL TIMES REMAIN THE EXCLUSIVE PROPERTY OF MCGILL & ASSOCIATES ENGINEERING LTD. AND CANNOT BE USED OR REPRODUCED WITHOUT WRITTEN CONSENT. THIS PLAN IS PREPARED FOR THE SOLE USE OF OUR CLIENT AND NO REPRESENTATION OF ANY KIND IS MADE TO OTHER PARTIES WITH WHOM MCGILL & ASSOCIATES ENGINEERING LTD. HAS NOT ENTERED INTO A CONTRACT. WRITTEN DIMENSIONS SHALL HAVE PRECEDENCE OVER SCALED DIMENSIONS. CONTRACTORS SHALL VERIFY AND BE RESPONSIBLE FOR ALL DIMENSIONS AND CONDITIONS ON THE JOB AND THIS OFFICE SHALL BE INFORMED OF ANY VARIATIONS FROM THE DIMENSIONS AND CONDITIONS SHOWN ON THE DRAWINGS.

No.	REVISION DESCRIPTION	DATE	BY	APP'D	DWG File Name
A	ISSUED FOR TENDER	2022/11/10	CJM	BAW	
					M4301.DWG

DESIGN:	BAW
DRAWN:	CJM
CHECKED:	BAW
APPROVED:	
DATE:	APRIL 2021
SCALE:	AS NOTED
FIELD BOOK No.	
DWG File Name	M4301.DWG

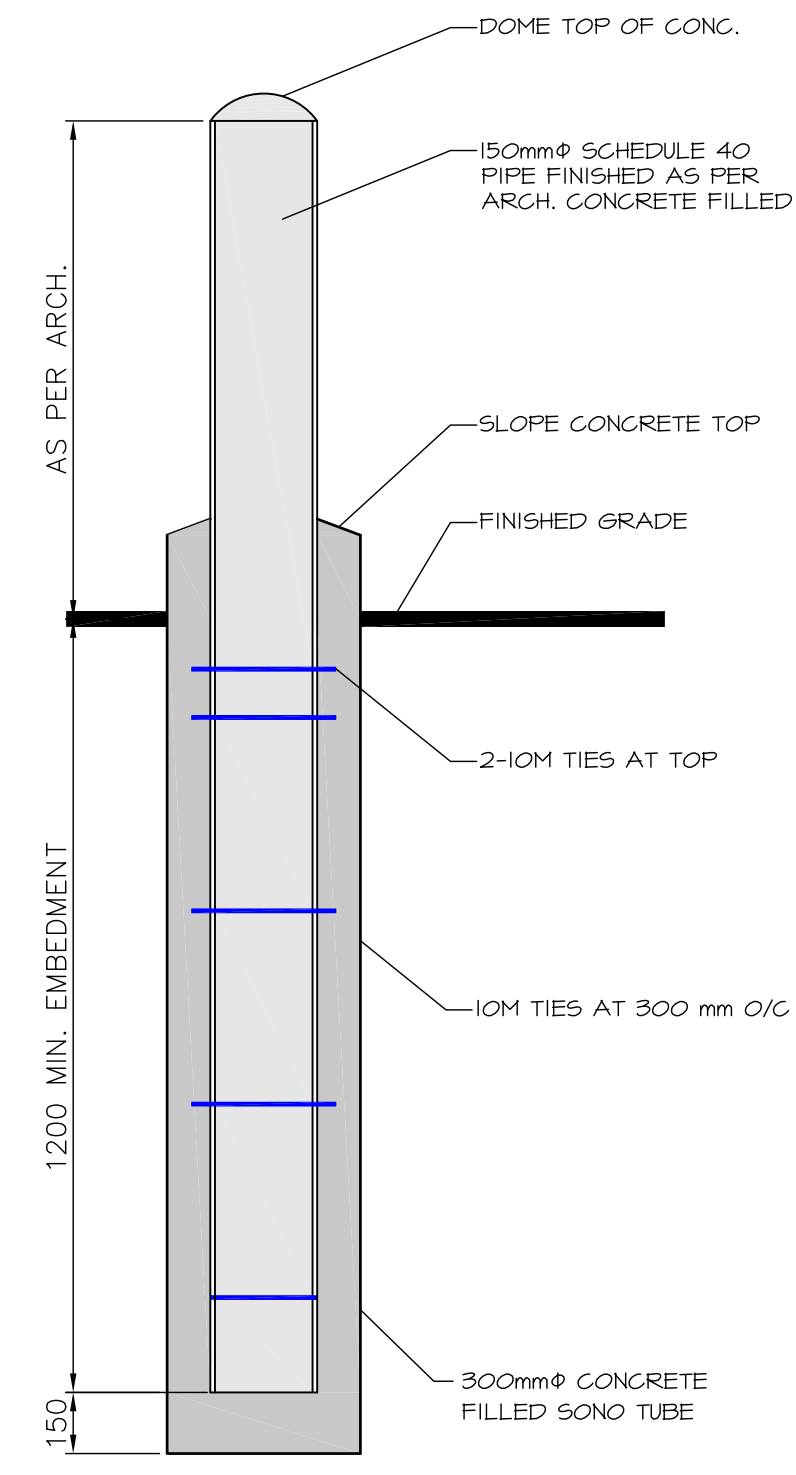


McGILL & ASSOCIATES ENGINEERING LTD.
 PERMIT TO PRACTICE No. 1002564
 4610 ELIZABETH STREET
 PORT ALBERNI, B.C., V9Y 6L7
 Tel: (250) 724-3400 Fax: (250) 724-4400
 E-mail: office@mcgilleng.com

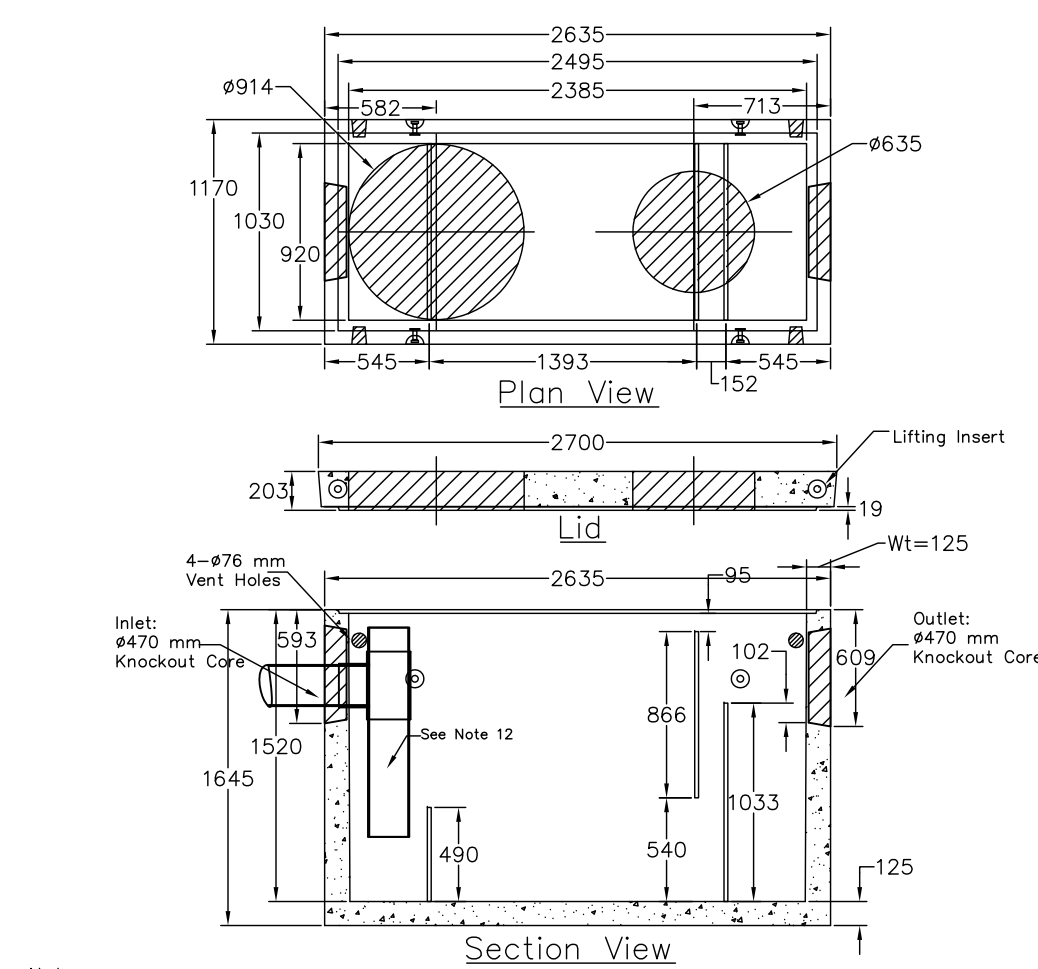
ALBERNI-CLAYOQUOT REGIONAL DISTRICT
 CBS8 - ALBERNI, MAINTENANCE BUILDING
 GRADING PLAN

SHEET No.	C02	
	2 OF 3	REV. A
DRAWING No.	4301 - C02	

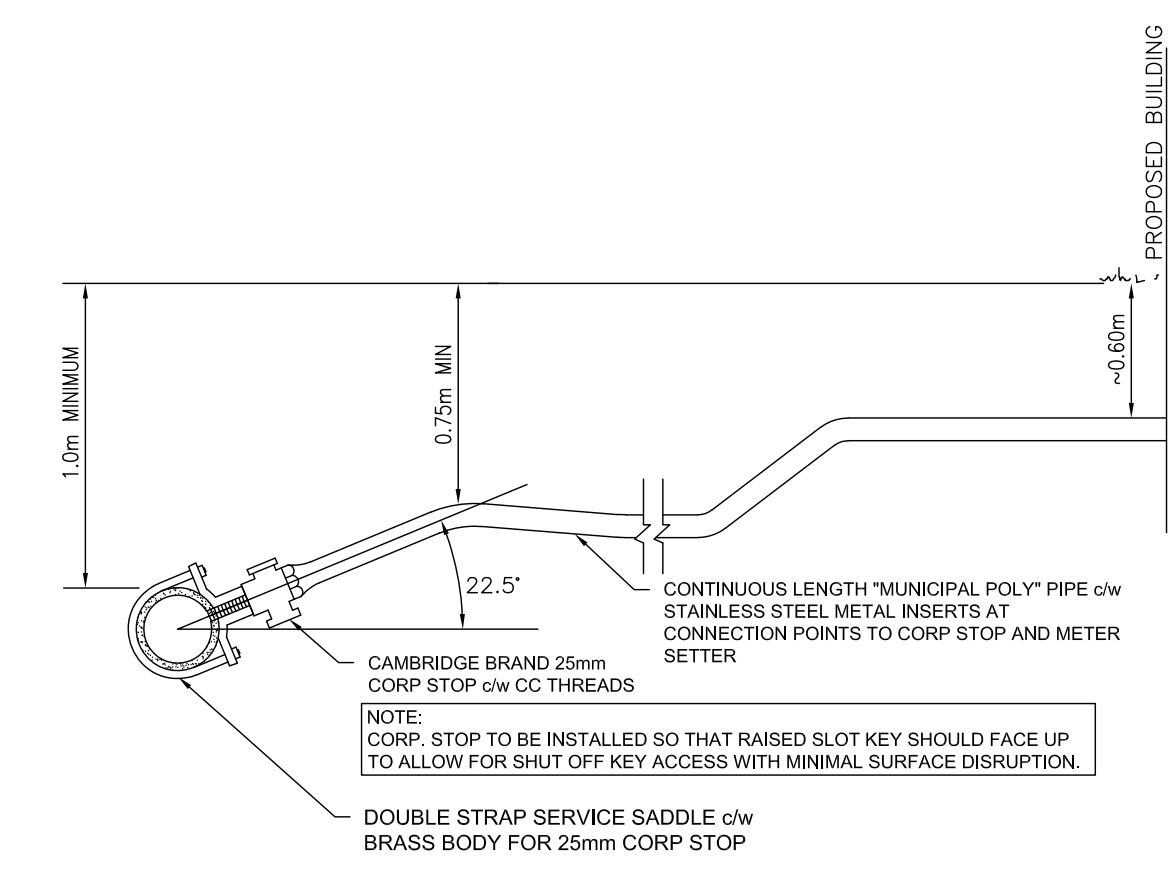
The electronic version is the digitally signed and sealed Original Document. This drawing is a paper copy of the Original Document.



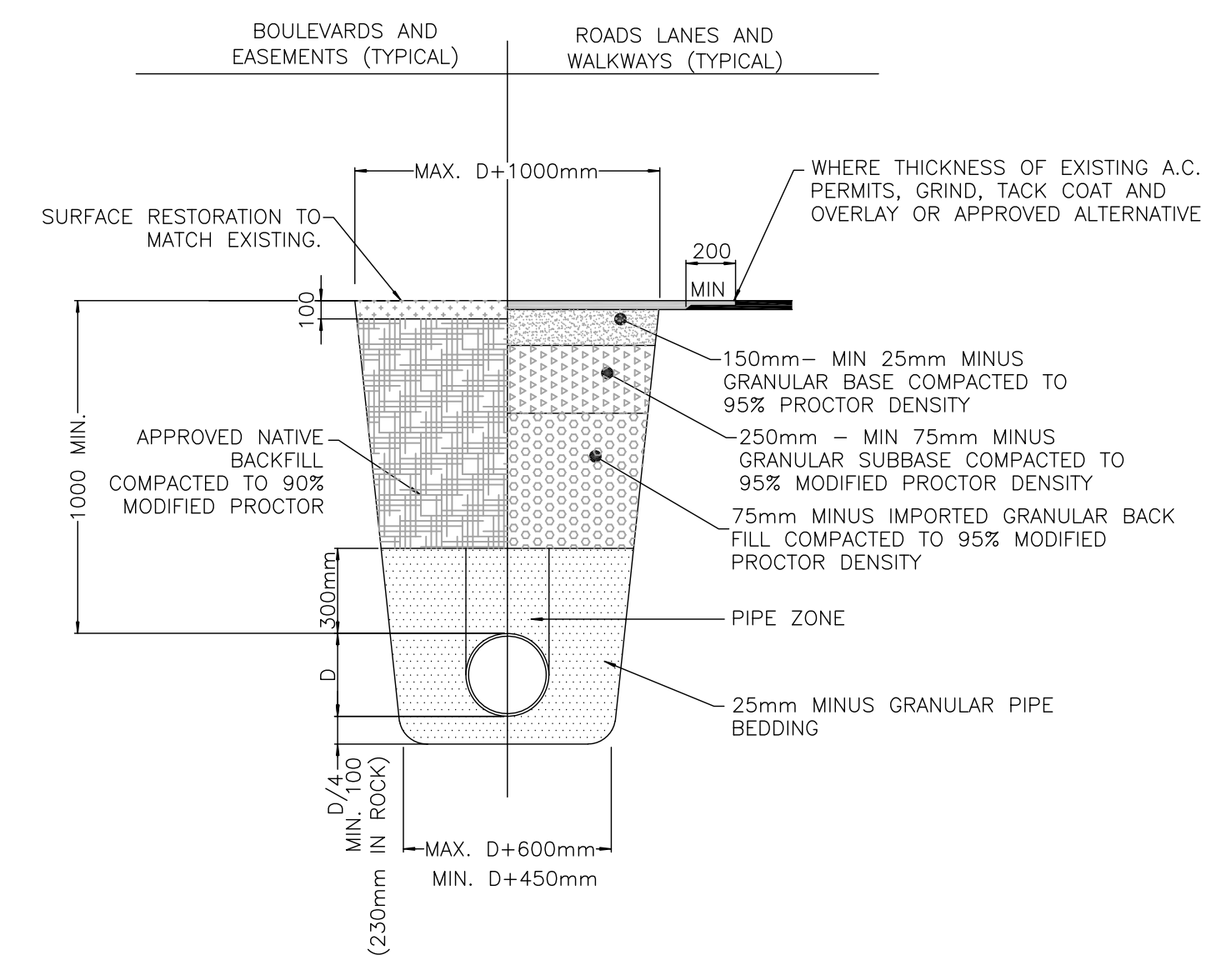
CONCRETE BOLLARD DETAIL
SCALE: N.T.S.



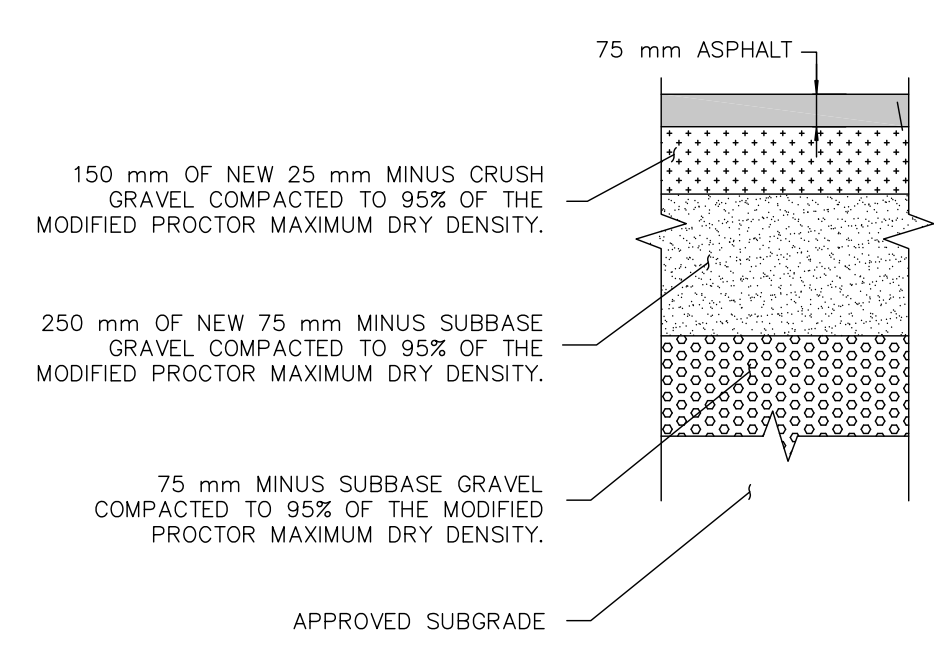
- Notes:
- Type II-8 mm spacing. Oil interceptor manufactured to meet AASHTO HS20 live loading.
 - Unit dimensions are 2.38 x 0.92 x 1.52 m.
 - Reinforced concrete lid manufactured for AASHTO HS20 live loading.
 - Unit c/w ø470 mm knockout cores for inlet/outlets as shown.
 - Unit risers available in heights: 300, 450 etc. to 1050 mm maximum.
 - Unit c/w 1-ø914 & 1-ø635 mm opening for accesses as shown.
 - Unit supplied w/ 4-ø76 mm vent holes as shown.
 - Oil interceptor c/w 12 gauge galvanized baffles as shown.
 - Unit has a maximum 2,000 liter [2.0 m³] capacity.
 - Unit c/w 5T lifting inserts as shown.
 - Unit c/w ladder rungs upon request.
 - PVC required by design, installed by others in field.
 - Design can be modified for specific application, please contact LCG sales office.
 - Approximate weight:
 - Lid: 1,350 kg.
 - Chamber: 4,220 kg.
 - Minimum rebar yield strength: 414 MPa.
 - Minimum concrete strength: 35 MPa.
 - Unit design for Temp: 0°C.
 - Oil S.G.: 0.85.
 - Influent oil = 100 mg/l.
 - Effluent oil <= 15 mg/l.
 - Max. flow: 16.4 l/sec.
 - All dimensions are in millimeters.



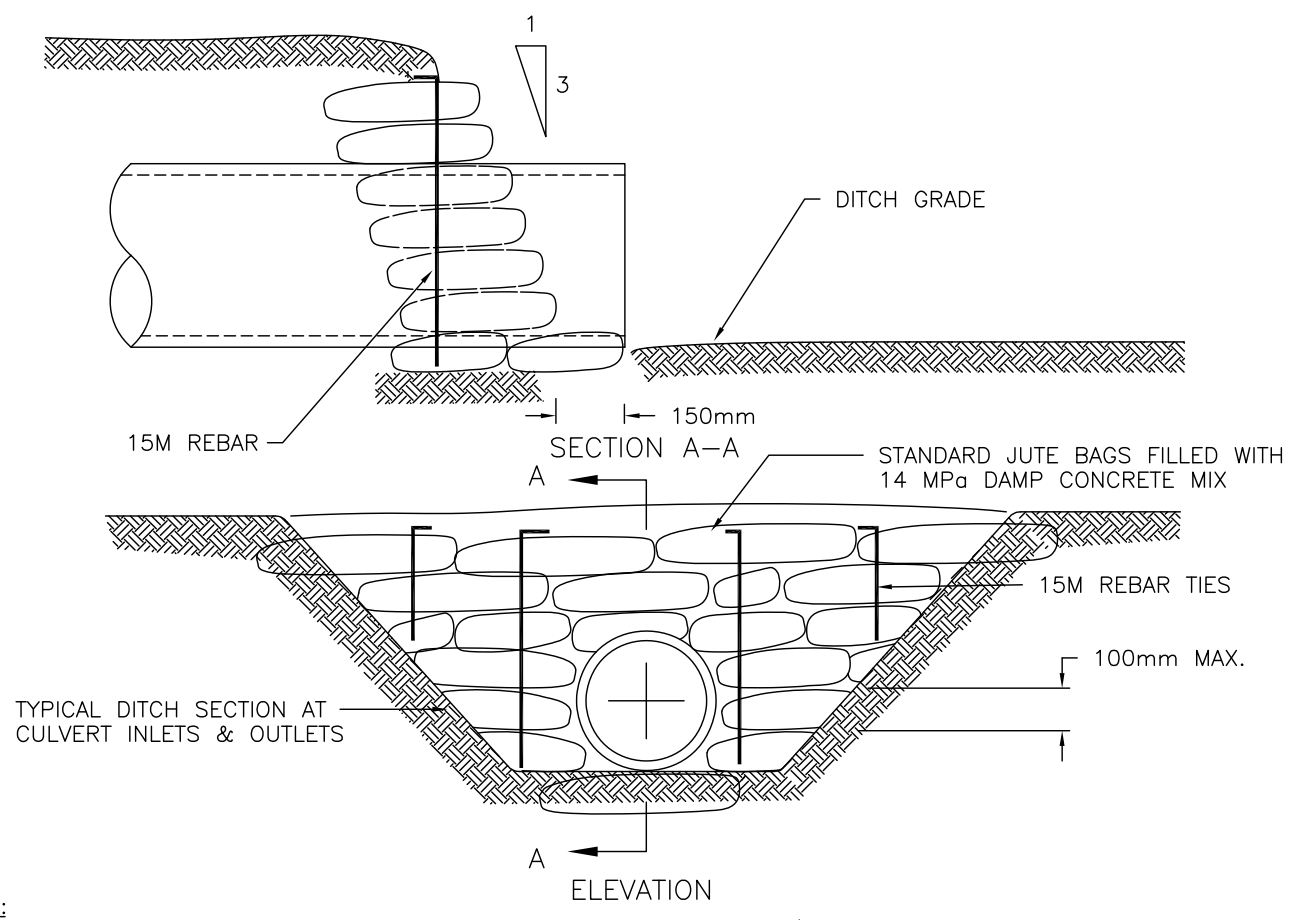
WATER SERVICE CONNECTION



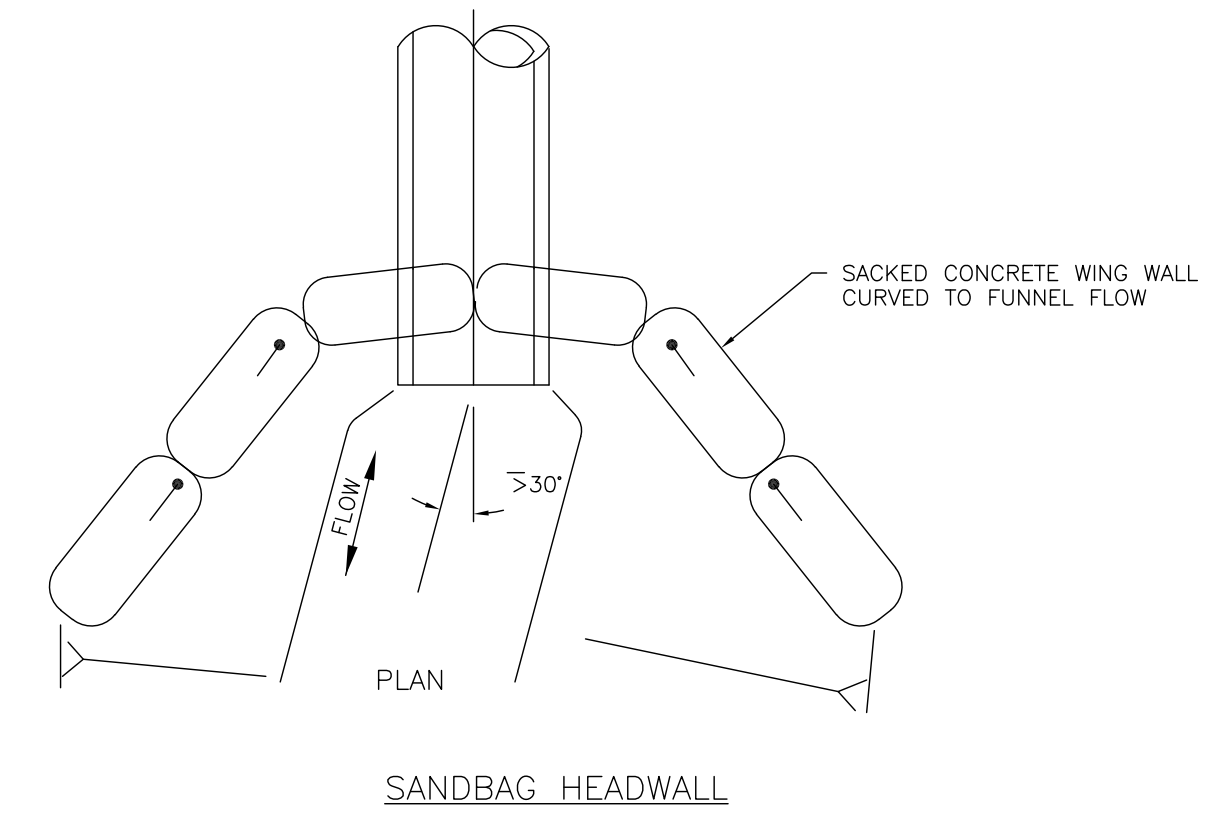
TYPICAL PIPE TRENCH DETAIL
SCALE: N.T.S.



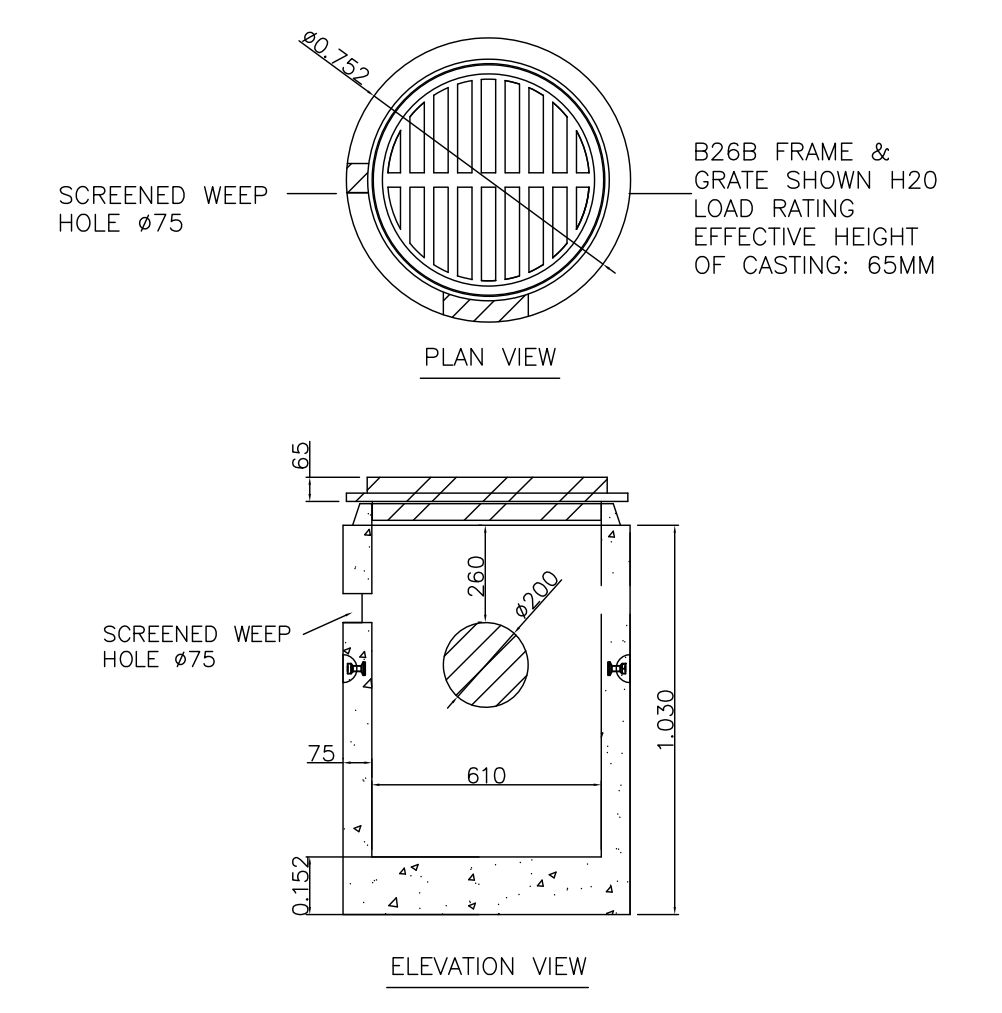
TYPICAL PAVEMENT SECTION
SCALE: N.T.S.



NOTE:
1. IF THE HORIZONTAL DIRECTION OF FLOW AT CULVERT INLETS AND/OR OUTLETS EXCEEDS 30°, THE SANDBAG BULKHEADS REQUIRE CURVED WING WALLS TO FUNNEL THE FLOW. SEE PLAN BELOW.



SANDBAG HEADWALL



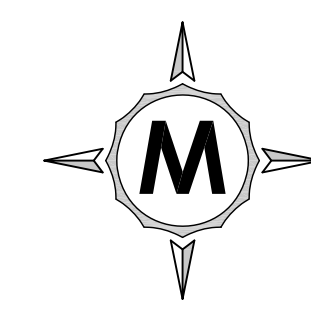
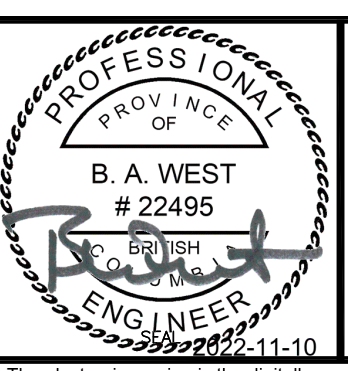
- NOTES:
- RECOMMENDED FOR PARKING LOT APPLICATIONS AS SHOWN.
 - MIN. CONCRETE STRENGTH: 30MPa
 - COMES WITH 150MM BASE, 200MM CORE, 75MM WEEPING HOLE.
 - AVAILABLE WITH TRAPPING HOOD PINS UPON REQUEST.
 - MANUFACTURED TO ASTM C478 STANDARD.
 - APPROX. WEIGHT: 550 KGS.
 - ALL DIMENSIONS ARE IN MILLIMETERS.

CATCH BASIN DETAIL
SCALE: N.T.S.

S:\4301 AVRA Maintenance Bldg\DWGS\M4301.dwg Nov 10, 2022 2:56:33pm

THIS PLAN AND DESIGN ARE, AND AT ALL TIMES REMAIN THE EXCLUSIVE PROPERTY OF MCGILL & ASSOCIATES ENGINEERING LTD. AND CANNOT BE USED OR REPRODUCED WITHOUT WRITTEN CONSENT. THIS PLAN IS PREPARED FOR THE SOLE USE OF OUR CLIENT AND NO REPRESENTATION OF ANY KIND IS MADE TO OTHER PARTIES WITH WHICH MCGILL & ASSOCIATES ENGINEERING LTD. HAS NOT ENTERED INTO A CONTRACT. WRITTEN DIMENSIONS SHALL HAVE PRECEDENCE OVER SCALED DIMENSIONS. CONTRACTORS SHALL VERIFY AND BE RESPONSIBLE FOR ALL DIMENSIONS AND CONDITIONS ON THE JOB AND THIS OFFICE SHALL BE INFORMED OF ANY VARIATIONS FROM THE DIMENSIONS AND CONDITIONS SHOWN ON THE DRAWINGS.

DESIGN:	BAR
DRAWN:	CJM
CHECKED:	BAW
APPROVED:	
DATE:	APRIL 2021
SCALE:	AS NOTED
FIELD BOOK No.	
DWG File Name	M4301.DWG
ISSUED FOR TENDER	2022/11/10 CJM BAW
REVISION DESCRIPTION	DATE BY APP'D



McGILL & ASSOCIATES ENGINEERING LTD.
 PERMIT TO PRACTICE No. 1002564
 4610 ELIZABETH STREET
 PORT ALBERNI, B.C. V9Y 6L7
 Tel: (250) 724-3400 Fax: (250) 724-4400
 E-mail: office@mcgilleng.com

ALBERNI-CLAYOQUOT REGIONAL DISTRICT
 CBS8 - ALBERNI, MAINTENANCE BUILDING
 DETAILS

SHEET No.	C03
3 OF 3	REV. A
DRAWING No.	4301 - C03

The electronic version is the digitally signed and sealed Original Document. This drawing is a paper copy of the Original Document.